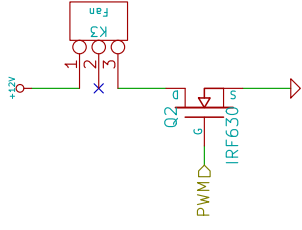


File: motor4.sch
 Sheet: /extruder/

Title:	
Size:	A4
Date:	18 dec 2010
Rev:	Id: 2/11



File: fan.sch

Sheet: /Fan unit/

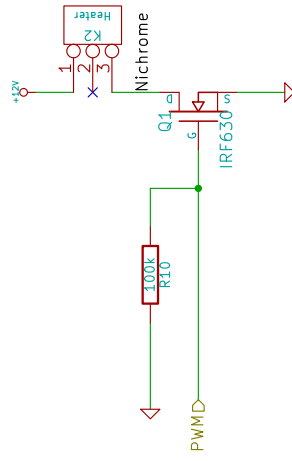
Title:

Size: A4 Date: 18 dec 2010

KiCad E.D.A.

Rev:

Id: 7/11



File: heater.sch

Sheet: /Heater part/

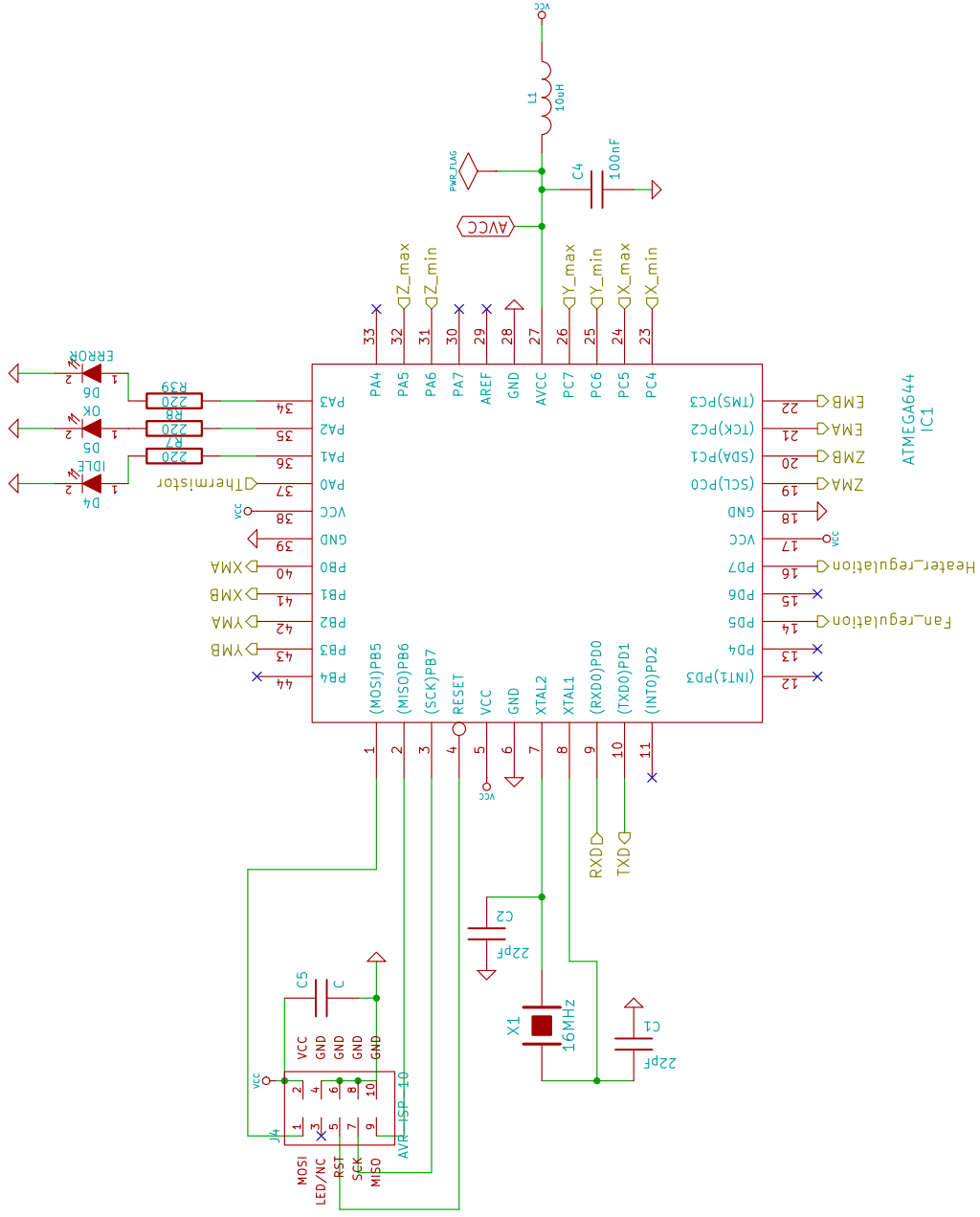
Title:

Size: A4 Date: 18 dec 2010

KiCad E.D.A.

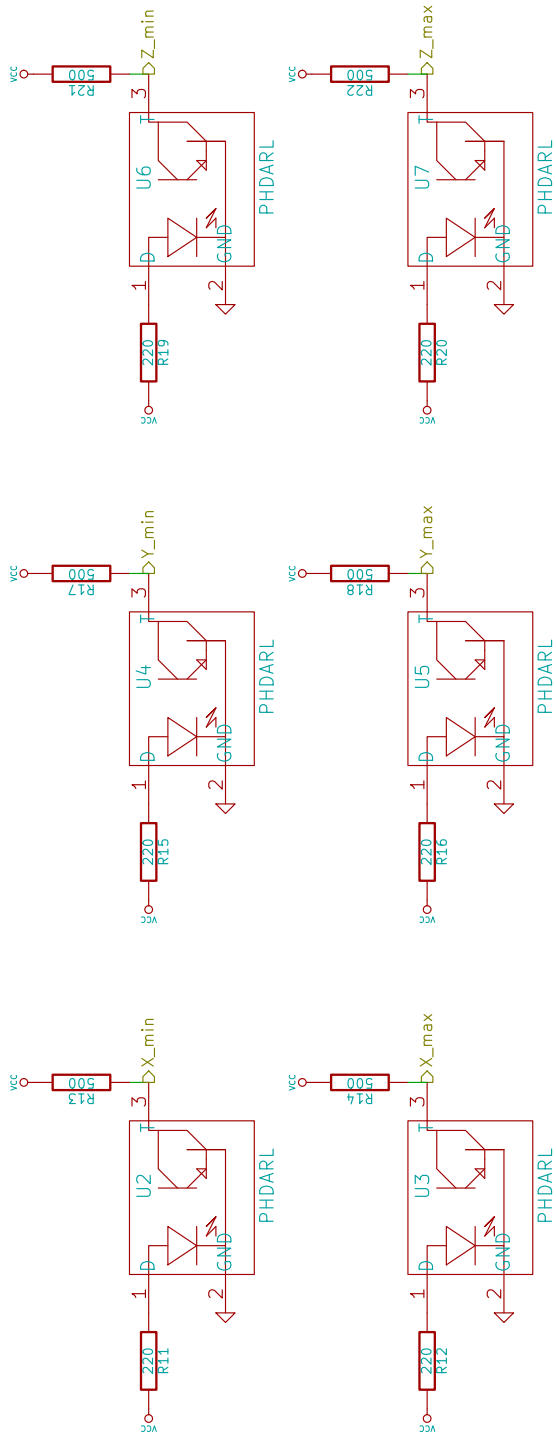
Rev:

Id: 9/11



File: sanguino.sch
 Sheet: /Main controller/
Title:
 Size: A4
 Date: 18 dec 2010
 KICad E.D.A.

Rev:
 Id: 6/11



File: opto_stop.sch

Sheet: /Main opto stopper/

Title:

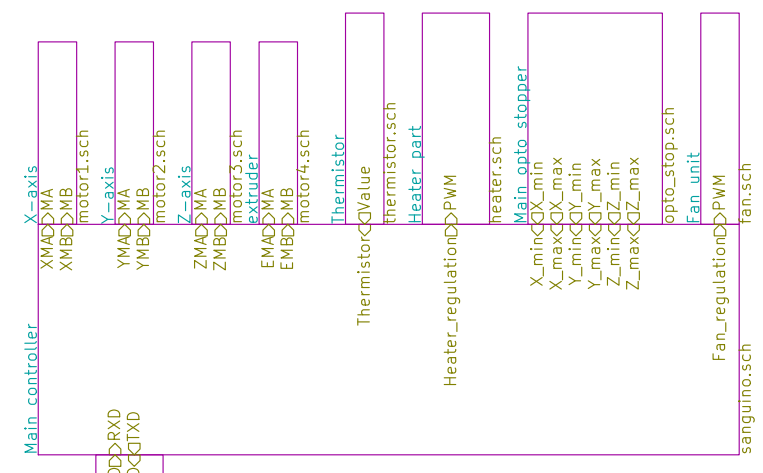
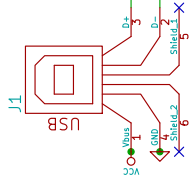
Size: A4

KiCad E.D.A.

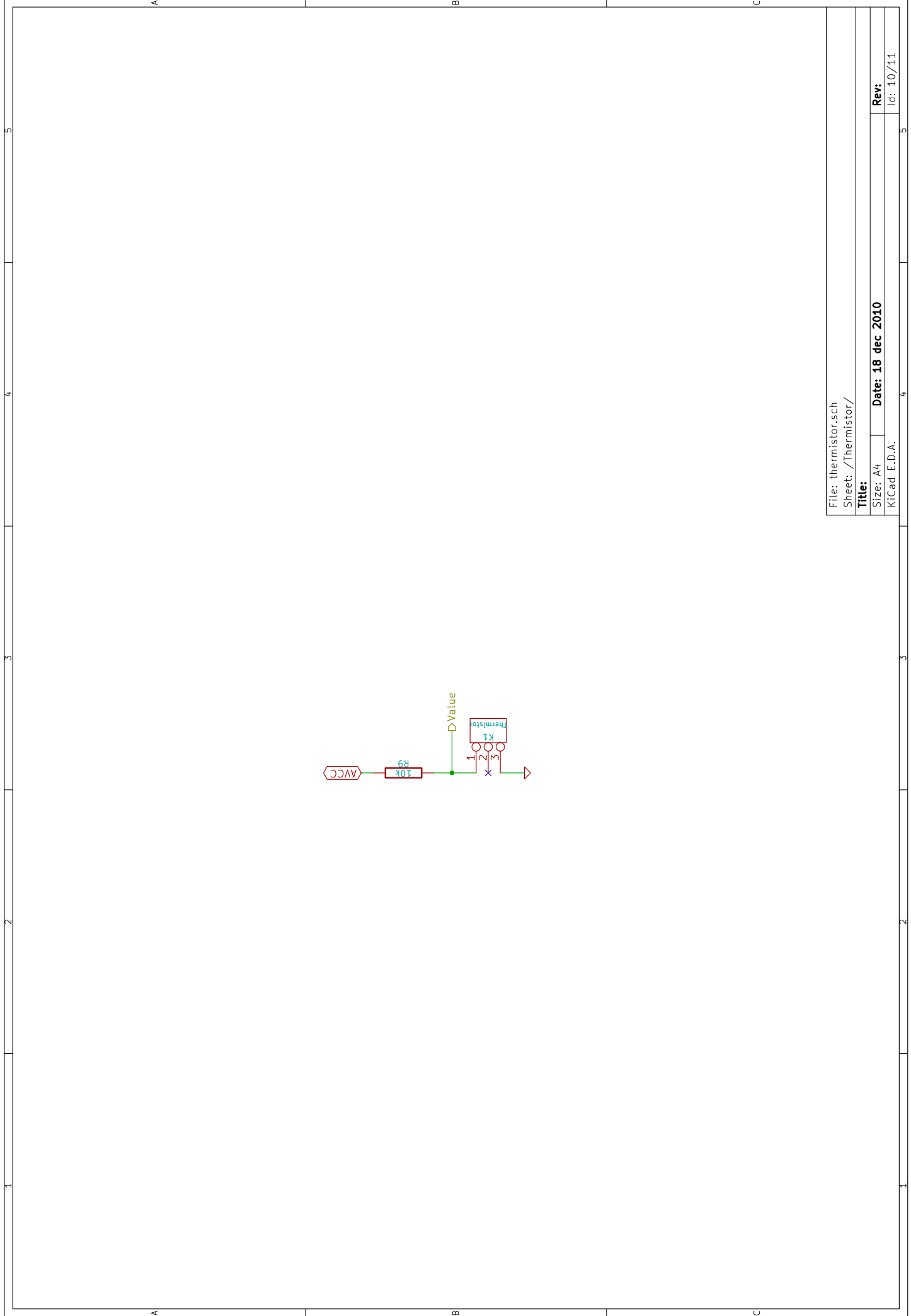
Rev:

Id: 8/11

Date: 18 dec 2010

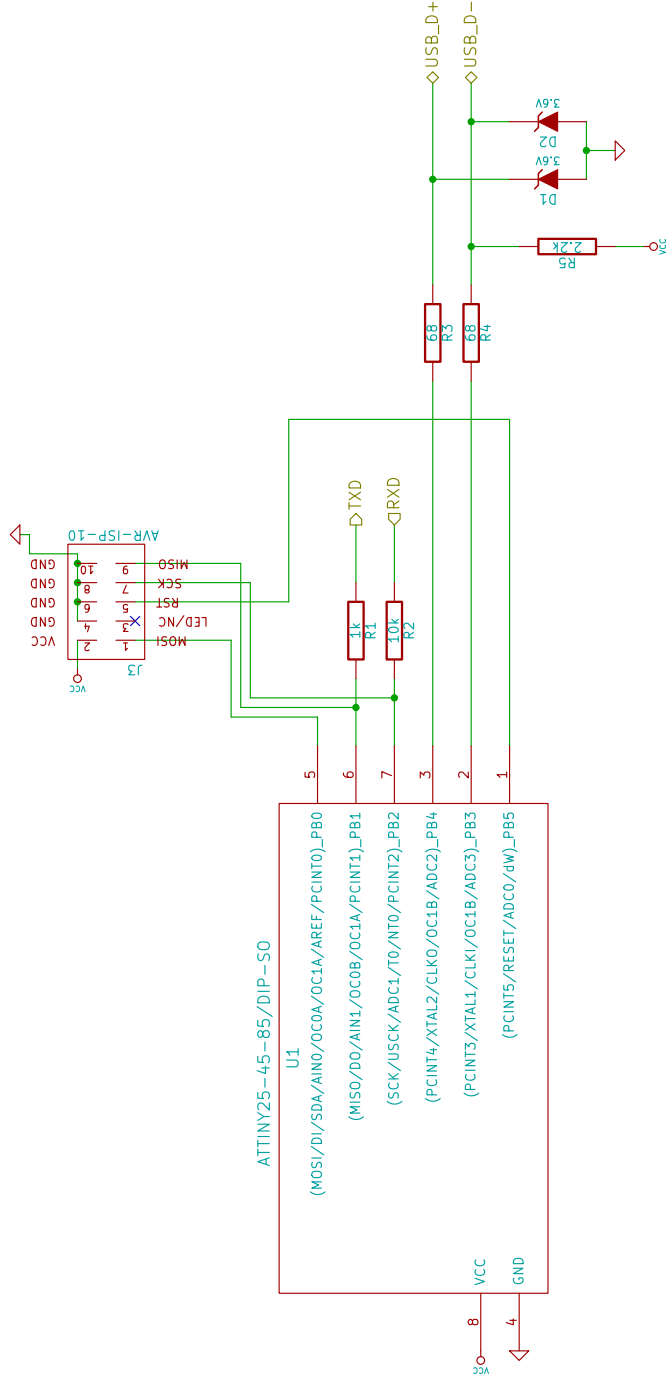


File: masterboard.sch
 Sheet: /
Title: Blockdiagram – overview
 Size: A4 Date: 18 dec 2010 Rev: 2
 KICad E.D.A. Id: 1/11



File: thermistor.sch
 Sheet: /Thermistor/

Title:	
Size: A4	Date: 18 dec 2010
KICad E.D.A.	
Rev:	
Id: 10/11	



File: usb2uart.sch
 Sheet: /USB client/

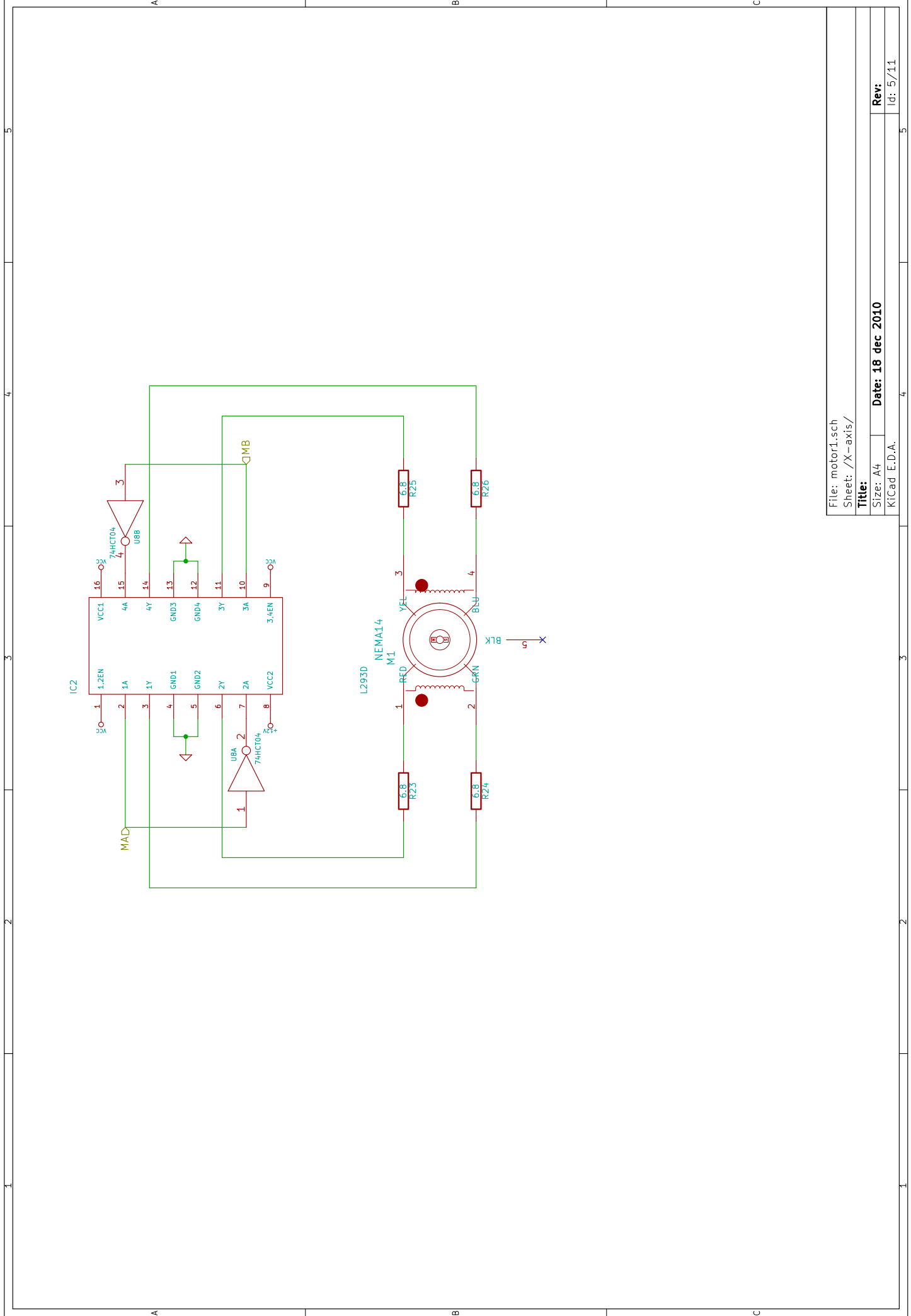
Title:

Size: A4 Date: 18 dec 2010

KiCad E.D.A.

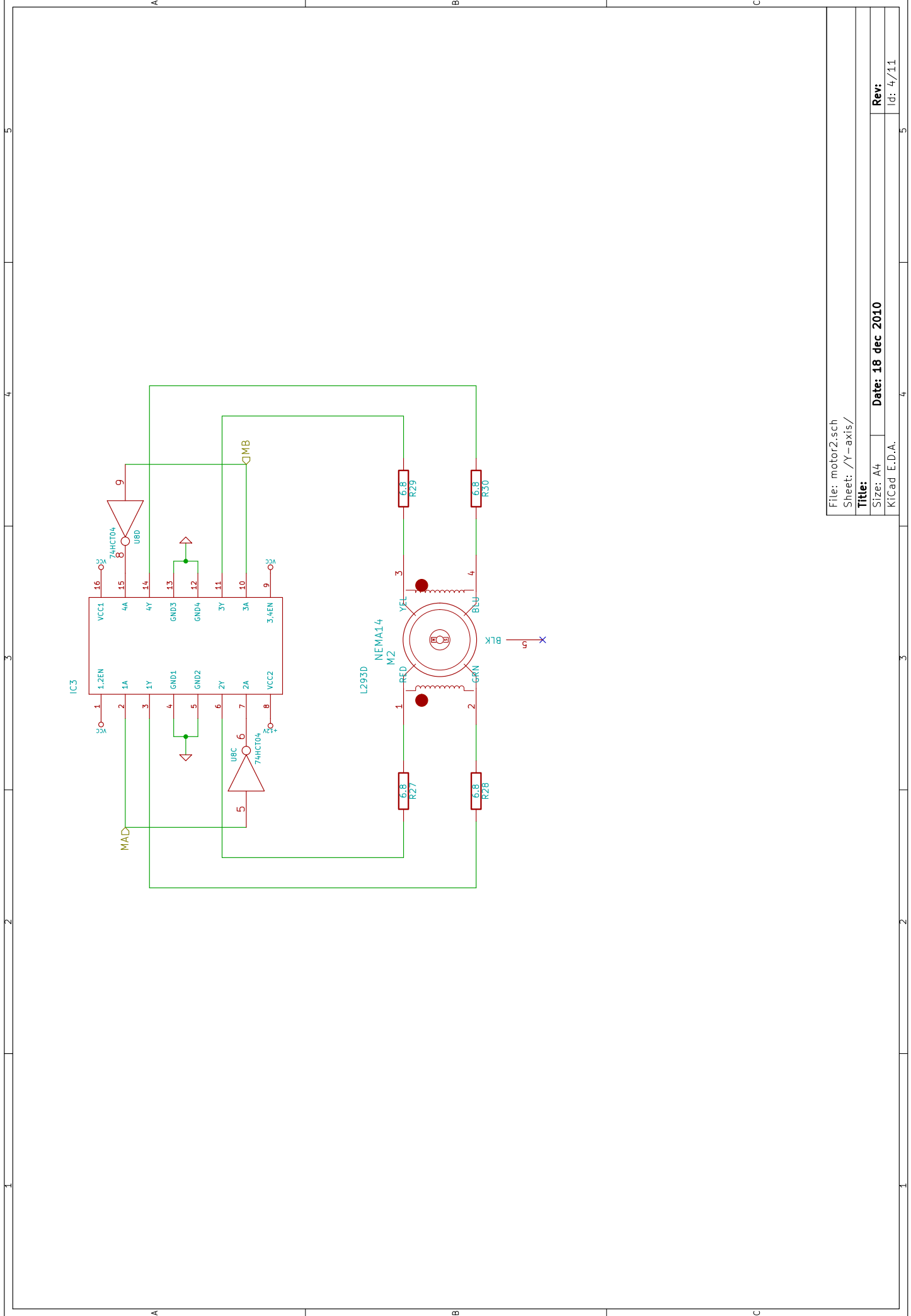
Rev:

Id: 11/11



File: motor1.sch
 Sheet: /X-axis/

Title:	
Size:	A4
Date:	18 dec 2010
Rev:	Id: 5/11

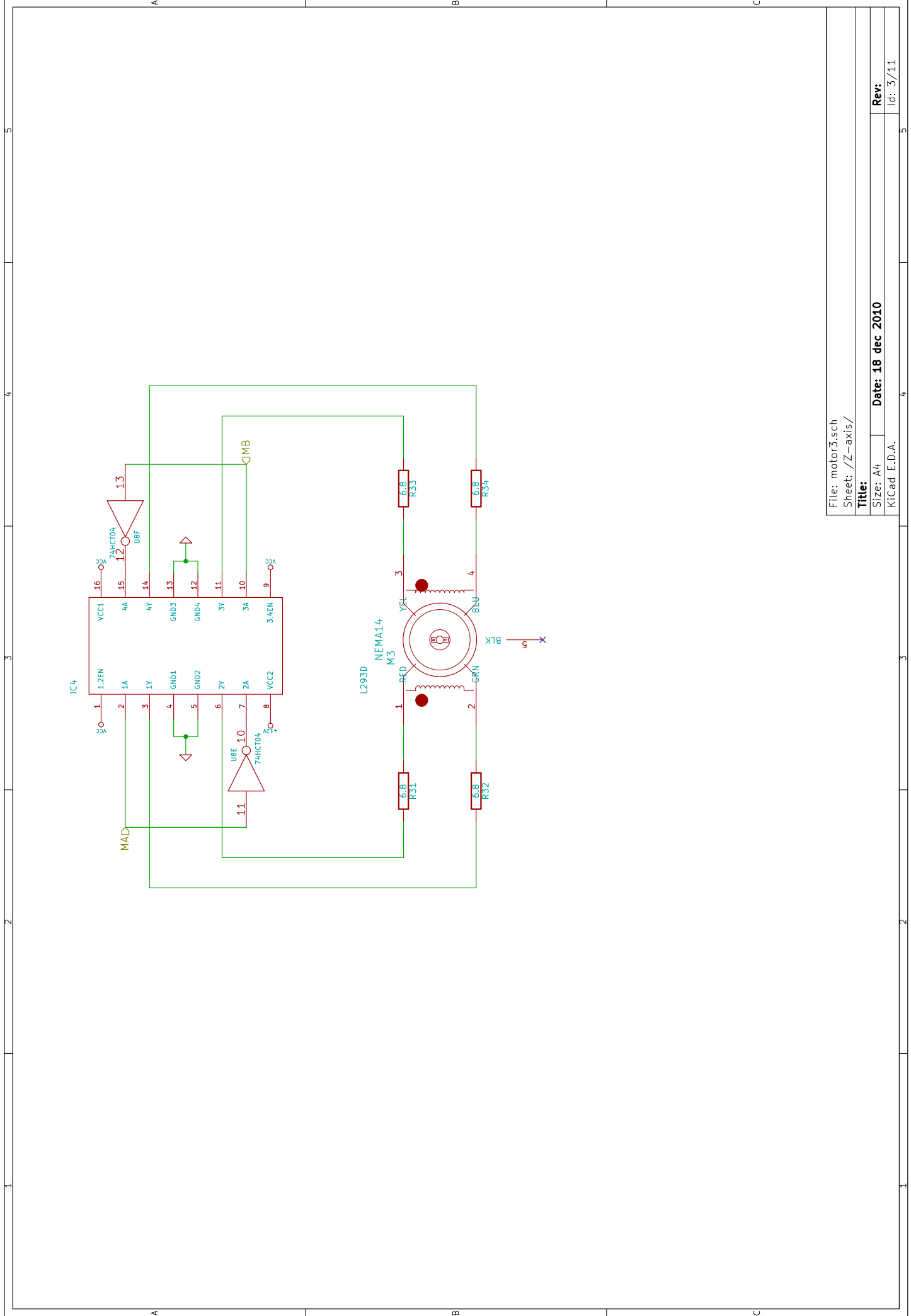


File: motor2.sch
 Sheet: /Y-axis/

Title:
 Size: A4
 KICad E.D.A.

Date: 18 dec 2010

Rev:
 Id: 4/11



File: motor3.sch
 Sheet: /Z-axis/

Title:	
Size:	A4
Date:	18 dec 2010
Rev:	Id: 3/11